

# SKR-4700

## Instruction Manual

Thank you for purchasing of the Onkyo speaker system. Please read this manual thoroughly before using it. Following the instructions in this manual will enable you to obtain optimum performance and listening enjoyment from your new speaker system. Please retain this manual for future reference.

### Before using this unit

- The speaker cabinet is made of wood and sensitive to extreme temperatures and humidity. Avoid placing the speaker system in locations subjected to direct sunlight or in humid places such as near an air conditioner, bathroom, or kitchen.
- Be sure to turn off your amplifier before connecting the speaker system. Connecting it while the amplifier is on may result in damage to the amplifier or the speaker system.
- The nominal impedance of this speaker system is 8 Ω. Use only amplifiers capable of handling this impedance.

### Precaution on use

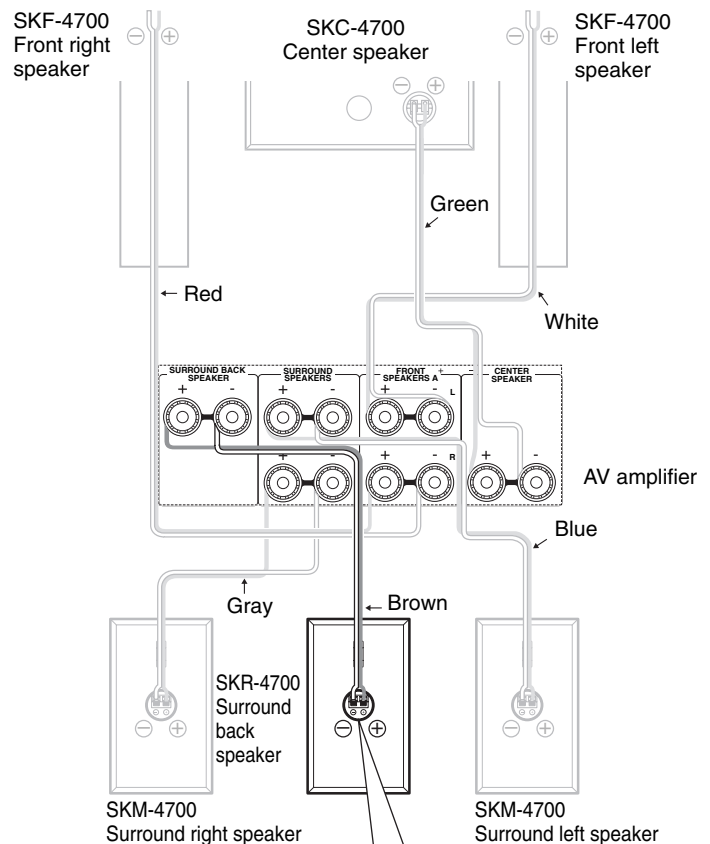
- This speaker system can handle the specified input power when it is used for ordinary music reproduction. If the following abnormal signals are fed to the speaker, however, an overcurrent may flow in the internal circuits, causing burning or breakage of the wires even if the input power is below the specified rating.
  1. Noise produced when FM station is not tuned in.
  2. Sound produced when fast-forwarding cassette tape deck.
  3. High-frequency sound generated by an oscillator, an electronic musical instrument, etc.
  4. Oscillating amplifier signals.
  5. Special test signals produced by audio checking CD, etc.
  6. Sound produced when connecting or disconnecting audio connection cables. (Always turn off the amplifier's power before connecting or disconnecting cables.)
  7. Howling when a microphone is used.

### Connections

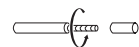
- Turn the sound volume to the minimum and disconnect the power cord from the amplifier before connecting the speaker cables.
- The nominal impedance of this speaker system is 8 Ω. Use only amplifiers capable of handling this impedance.
- Use the supplied speaker cables to connect between speaker's input terminals and the amplifier's speaker terminals as illustrated on the right.
- Connect the speaker cables securely to the terminals, with the core wires twisted properly. In this case, make sure that the core wires do not touch each other. Note that a short circuit in core wires may result in damage to the amplifier.



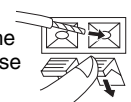
### Connecting to AV amplifier



1. Strip the insulation of speaker cables, and twist the core wires tightly.



2. While pressing the lever, insert the wire into the hole, and then release the lever.



3. Make sure that the terminals are gripping the core wires, not the insulation.



### Before turning on the amplifier's power switch:

- Make sure that the positive (+) and negative (-) speaker cables do not contact each other. Otherwise, a short-circuit may occur, causing damage to the amplifier.
- Be sure to connect the speaker cables with correct polarity (connect the speaker's positive (+) and negative (-) binding posts with the amplifier's corresponding speaker terminals). Reversed polarity results in impaired bass-range reproduction, causing mislocalization of the sound image. Also, be sure to connect the Right and Left speakers with the amplifier's corresponding speaker terminals.
- Pull lightly on the speaker cables to ensure that they are connected firmly.

## Placement

For better-quality sound, observe the following precautions when you install the speaker system:

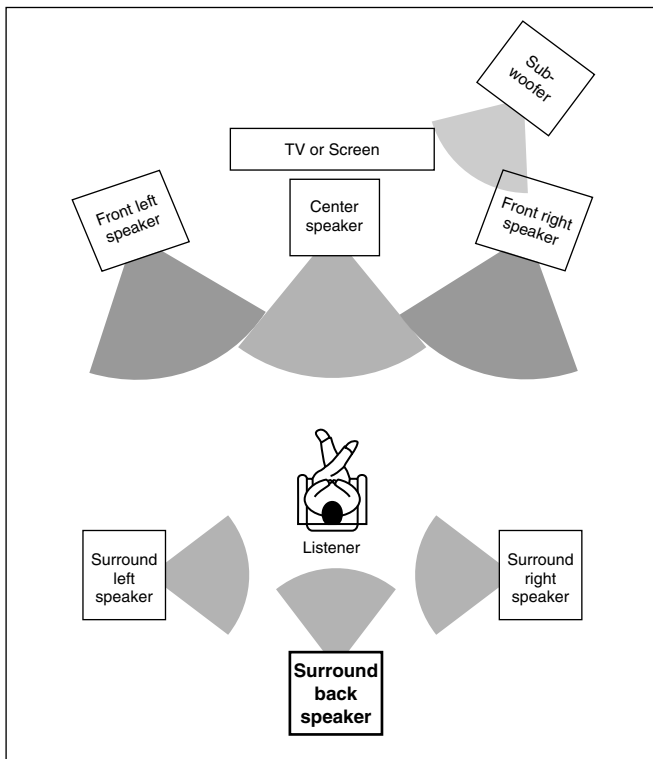
- Placing the speaker system on several small-diameter supports generally results in better sound than placing it directly on a wide installation surface. Also note that high quality bass cannot be obtained if the speaker system is unstably positioned. Always use thin discs of cork or metal (such as coins) to seat the speaker stably.
- Place the Right and Left surround speakers in similar conditions. If they are placed in extremely different conditions, left right channel balance will be adversely affected.

### When using as a Surround Back Speaker

It is very important to place your speakers properly to obtain the optimum sound space for your listening pleasure.

The surround back speaker is required for enjoying 6.1ch/7.1ch surround sound. The surround back speaker will also improve the quality of sound effects for far more realistic acoustics.

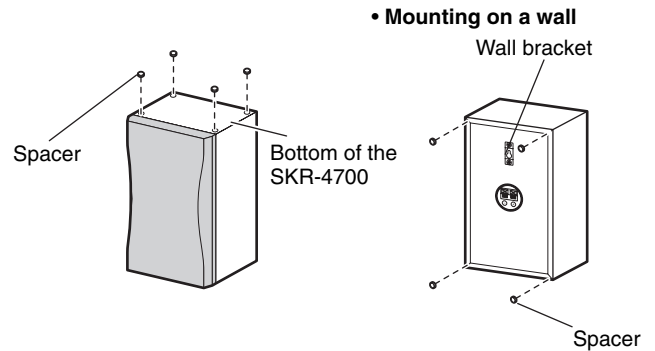
Place the speaker so that its height is 1 meter higher than that of the listener's ears.



If the speaker is to be wall-mounted, make sure that the walls are strong enough to support the speaker's weight. The weight that mounting screws can support varies greatly depending on the wall material and the position of the reinforcing ribs embedded in the wall. Use the thickest and longest possible mounting screws with mounting screw head diameters less than 9 mm and shank diameters less than 4 mm (please consult with your interior designer or contractor).

### Using spacers

Affix four of the supplied spacers to the SKR-4700.



## Speaker care

Your Onkyo speaker is finished with a very high quality polymer laminate covering that serves to protect the wood speaker cabinet. Wipe the cabinet periodically with a dry, silicon-embedded or plain soft cloth.

The covering may be cleaned with a soft cloth moistened with water and a mild soap. Avoid the use of furniture polishes or harsh cleansers.

Use a soft brush or hand vacuum cleaner to remove dust and lint from the grille material.

## Specifications

Type:	2-way bass reflex
Impedance:	8 Ω
Maximum input power:	130 W
Output sound pressure level:	81 dB/W/m
Frequency response:	50 Hz - 50 kHz
Crossover frequency:	6 kHz
Cabinet capacity:	4 L
Speaker (woofer):	10 cm cone
Speaker (tweeter):	2.5 cm balanced dome
Dimensions:	155 (W) x 266 (H) x 140 (D) mm (Overall dimensions)
Weight:	1.8 kg
Others:	Magnetic shielding
Accessory:	9 m speaker cable Instruction manual Spacer x 4

Specifications and appearance may subject to change for improvement without prior notice.

# SKR-4700

## 使用手册

非常感谢您购买Onkyo扬声器系统。

在使用之前，请仔细阅读本使用手册。

遵照本使用手册的指示和说明进行操作，将使您通过新购置的扬声器系统，得到最佳的音响效果和听觉享受。

请妥善保管本使用手册，以备将来参考。

### 使用本系统之前

- 本扬声器的箱体是木质的，因此，对极高（或极低）的温度和湿度非常敏感。请不要将扬声器系统放置在阳光直射之处，或高湿度的地方，如靠近空调机、浴室或厨房中。
- 在连接扬声器系统之前，请务必先关闭您的放大器。若在放大器电源打开的状况下进行连接，则可能会损坏放大器或扬声器系统。
- 本扬声器系统的额定阻抗是8Ω。请只使用对应于此阻抗的放大器。

### 使用注意事项

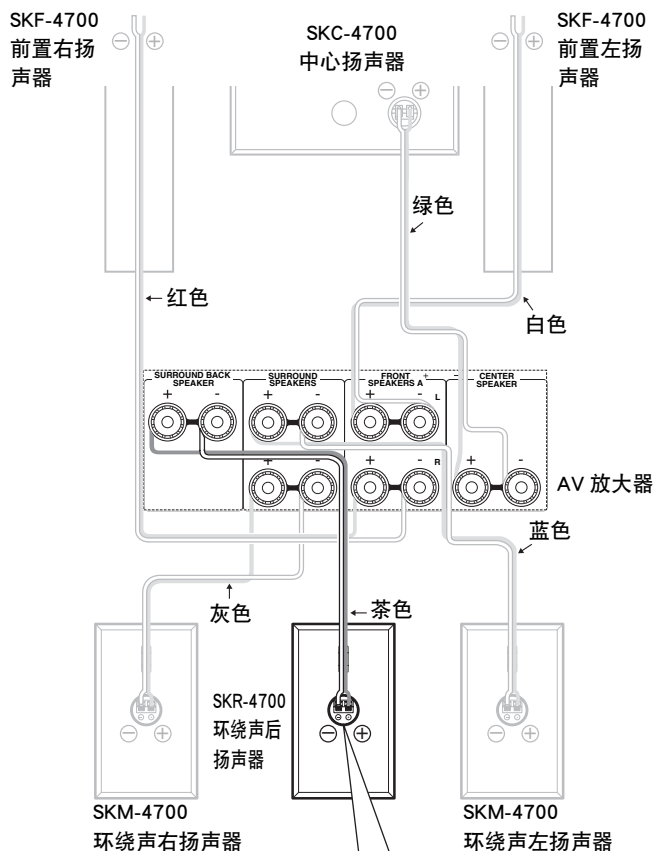
- 当本扬声器系统被用来进行普通的音乐再现时，可以承受一定的输入功率。但如果下述异常信号被输入扬声器，即使其输入功率低于最大输入功率，也有可能产生过大的电流，使线路烧毁或损坏。
  1. 当收听调频广播未调准电台时产生的噪音。
  2. 当盒式录音带快进时产生的声音。
  3. 由振荡器、电声乐器等产生的高频音响。
  4. 振荡的放大器信号。
  5. 由音频测试CD等产生的特殊测试信号。
  6. 在连接或拆除音频连接线时产生的声音。（请务必在连接或拆除连接线前关闭放大器的电源）
  7. 使用麦克风时的反馈啸声。

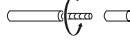


### 连接

- 在连接扬声器连接线之前，请先将放大器音量调至最小，并拔出放大器的电源线。
- 本扬声器系统的额定阻抗是8Ω。请只使用对应于此阻抗的放大器。
- 如右图所示，使用随机附带的扬声器连接线，连接扬声器的输入端子和放大器的扬声器端子。
- 连接扬声器连接线时，请正确地缠绕芯线，将其牢固地连接在端子上。这时，请确认芯线没有相互接触。请注意，芯线间的短路会导致放大器的损坏。



### 连接到 AV 放大器



1. 剥除扬声器连接线的绝缘外层，扭紧芯线。
2. 压下端子杆，将扬声器连接线插入洞中，然后松开端子杆。
3. 确认端子接触的是芯线而非绝缘外层。

### 在打开放大器的电源开关之前：

- 确认扬声器连接线的正极(+)和负极(-)没有相互接触。否则可能会发生短路，导致放大器的损坏。
- 在连接扬声器连接线时，一定要保证极性的正确。（将扬声器的正(+)和负(-)接线柱连接至放大器上相应的扬声器端子。）极性接反将会阻碍低音的再现，并导致声场不能正确定位。同时，请务必使左侧和右侧的两个扬声器与放大器上相应的扬声器端子正确地连接。
- 轻拉扬声器连接线，以确认其已牢固地连接。

## 安放

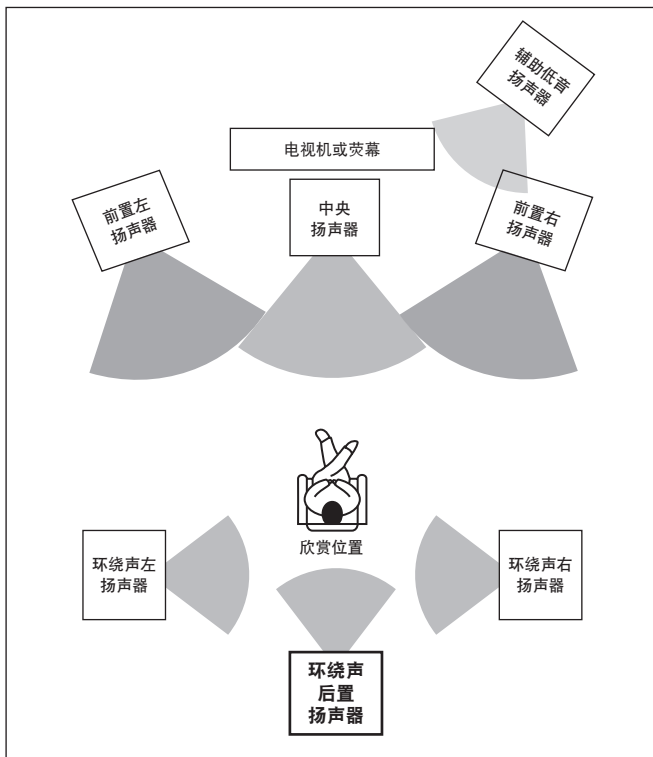
为了获得最佳的音质，在安装扬声器系统时请遵守下列注意事项。

- 与直接安放在平面上相比，将扬声器系统安放在几个支脚上能获得更佳的音响效果。另外，如果扬声器系统放置不平，则无法获得优质的低音效果。请务必使用薄软木片或金属（如硬币）将扬声器垫平。
- 将左侧和右侧的扬声器安放在相近状态下。如果它们安放的状态截然不同，则将对左声道和右声道的平衡带来不良影响。

### 使用环绕声后扬声器时

为了获得最佳的音响空间享受聆听之乐，正确安放扬声器非常重要。聆听6.1声道 / 7.1声道环绕声必须安装环绕声后扬声器。环绕声后扬声器可以使声音更加真实，从而提高音响效果的品质。

扬声器的安放高度以高于聆听者耳朵1米为佳。

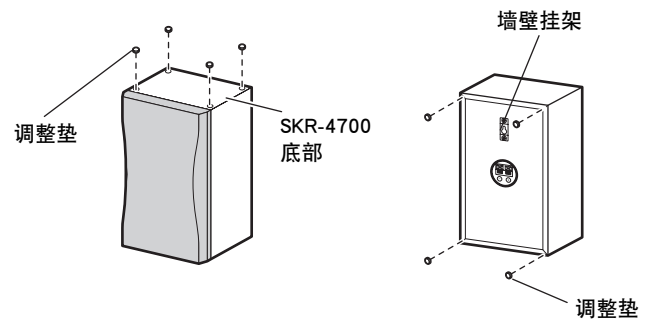


如果要扬声器安装在墙壁上，墙壁的强度必须足够支撑扬声器的重量。视墙壁材质和加固肋嵌入墙壁的位置不同，安装螺丝可支撑的重量有很大差异。请尽量使用最粗最坚固的安装螺丝，螺丝头直径需小于 9 mm，螺丝杆直径需小于 4 mm（请咨询您的室内设计师或承包人）。

## 使用调整垫

将随附的4个调整垫固定到SKR-4700。

- 安装在墙壁上



## 扬声器的维护

您的Onkyo扬声器表面覆盖了一层高质量的聚合物薄膜，以保护木质的箱体。请定期用一块干燥的软硅布或普通软布擦拭机体。其表面可以用软布蘸清水来擦拭，可以使用刺激性不强的肥皂。请不要使用家具抛光剂或去污粉。

请用软刷或手持型吸尘器去除沾在前格板上的灰尘和绒毛。

## 规格

型式:	双路低音反射
阻抗:	8 Ω
最大输入功率:	130 W
输出声压电平:	81 dB/W/m
频率响应:	50 Hz-50 kHz
交叉频率:	6 kHz
箱体容积:	4 L
低音扬声器:	10 cm 锥型扬声器
高音扬声器:	2.5 cm 平衡圆顶型扬声器
尺寸:	155 (宽) × 266 (高) × 140 (深) mm (包括扬声器前格板)
重量:	1.8 kg
其它:	磁场屏蔽
附件:	9 m 扬声器连接线 使用手册 调整垫 × 4

规格和外形如有变更，恕不另行通知。

## ONKYO CORPORATION

Sales & Product Planning Div. : 2-1, Nisshin-cho, Neyagawa-shi, OSAKA 572-8540, JAPAN  
Tel: 072-831-8023 Fax: 072-831-8124

### ONKYO U.S.A. CORPORATION

18 Park Way, Upper Saddle River, N.J. 07458, U.S.A.  
Tel: 201-785-2600 Fax: 201-785-2650 <http://www.us.onkyo.com/>

### ONKYO EUROPE ELECTRONICS GmbH

Liegnitzerstrasse 6, 82194 Grobenzell, GERMANY  
Tel: +49-8142-4401-0 Fax: +49-8142-4401-555 <http://www.eu.onkyo.com/>

### ONKYO EUROPE UK Office

Suite 1, Gregories Court, Gregories Road, Beaconsfield, Buckinghamshire, HP9 1HQ  
UNITED KINGDOM Tel: +44-(0)1494-681515 Fax: +44(0)-1494-680452

### ONKYO CHINA LIMITED

Unit 1&12, 9/F, Ever Gain Plaza Tower 1, 88, Container Port Road, Kwai Chung,  
N.T., HONG KONG Tel: 852-2429-3118 Fax: 852-2428-9039  
<http://www.ch.onkyo.com/>



SN 29344554

(C) Copyright 2007 ONKYO CORPORATION Japan. All rights reserved.

Printed in Japan  
N0707-1